

FirePit® KettleGrill

Whalen

Assembly Instructions / Owner's Manual

for

Model 41260

FOR CUSTOMER SERVICE

OR

ASSEMBLY ASSISTANCE

CALL 1-800-225-1438

(URL: www.whalenco.com/)

PLEASE DO NOT RETURN TO RETAIL STORE!

!WARNING!

**THE FirePit® KETTLE IS FOR OUTDOOR USE ONLY!
DO NOT USE THE FirePit®KETTLE INDOORS!
INDOOR USE CAN BE FATAL!**

PACKED BY



WHALEN LIMITED WARRANTY

Whalen Mfg. Co., (Whalen) hereby warrants to the ORIGINAL RETAIL PURCHASER of this product that if it is assembled and operated in accordance with Whalen's printed instructions accompanying it, then for a period of one (1) year from the date of purchase all parts of the **FirePit® Kettle** shall be free from defects in material and workmanship.

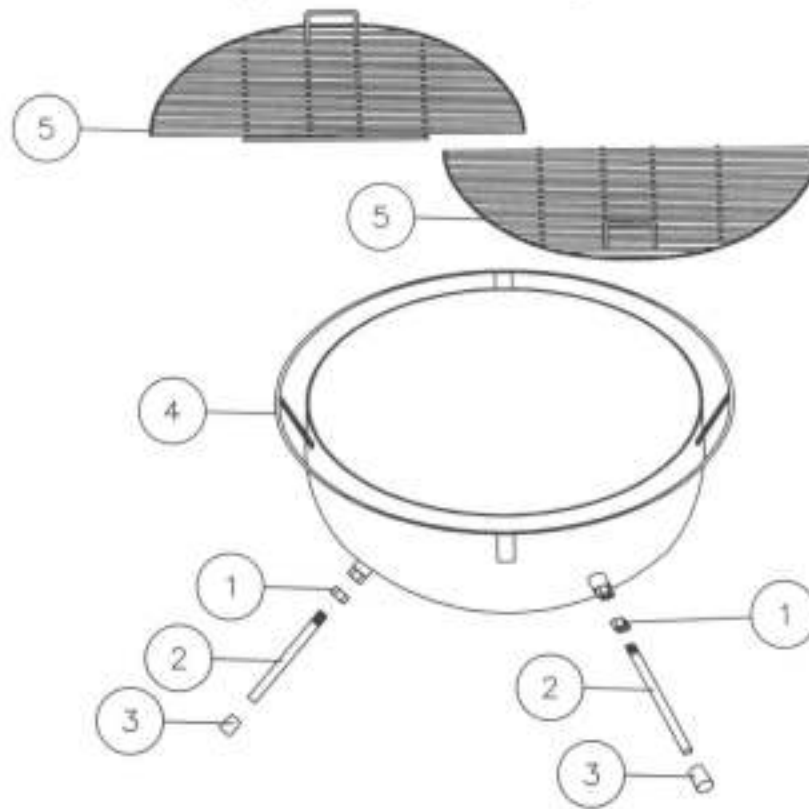
Whalen shall not be liable under this or any implied warranty for incidental or consequential damages. This warranty gives you specific legal rights, and you may have other rights which vary from state to state. This warranty is applicable in the USA and Canada. Please note that Paint Finish will burn off during normal operations. Therefore, surface paint is not covered under this warranty. High Temp Barbecue Paint may be used to touch up the finish.

Whalen requires reasonable proof of your date of purchase. **THEREFORE, YOU SHOULD RETAIN YOUR SALES SLIP OR INVOICE.**

This Limited Warranty shall be limited to the repair or replacement of parts which prove defective under normal use and service and which on examination shall indicate, to Whalen's satisfaction, they are defective. Any part that is claimed to be defective and covered by this Limited Warranty must be returned with transportation costs prepaid to Whalen Mfg. Co., Customer Service Center, 1270 E Murray St, Macomb, IL 61455. If Whalen's inspection confirms the defect and the claim, Whalen will elect to repair or replace such part without charge and return it to you freight or postage prepaid.

Note: All Whalen Mfg. Co products are subject to change, upgrade and improvement without notification.

Exploded Parts Diagram

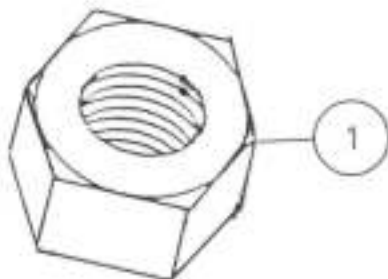


PARTS LIST FOR **FirePit® Kettle Grill**

Ref No.	Part No.	Part Description	Quantity
1	2520-504	3/4 - 10 Hex Nut, Zinc Plated	3
2	40450	FirePit® Kettle Leg	3
3	40452	FirePit® Kettle Leg Foot	3
4	40446	FirePit® Kettle	1
5	40458	FirePit® Kettle Half Grill	2

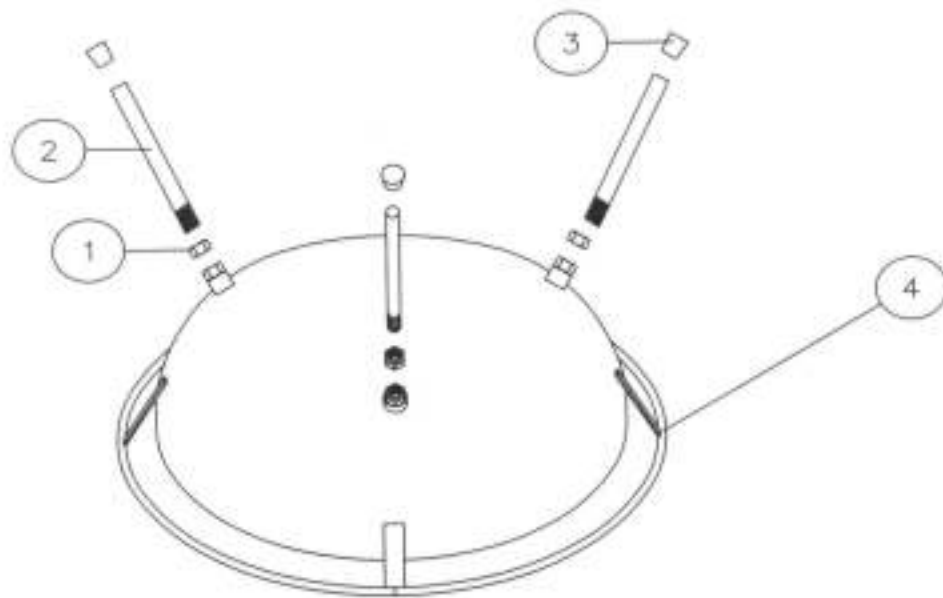
TOOLS REQUIRED FOR ASSEMBLY

1 Adjustable End Wrench



Hardware Drawing-Actual Size

ASSEMBLY INSTRUCTIONS

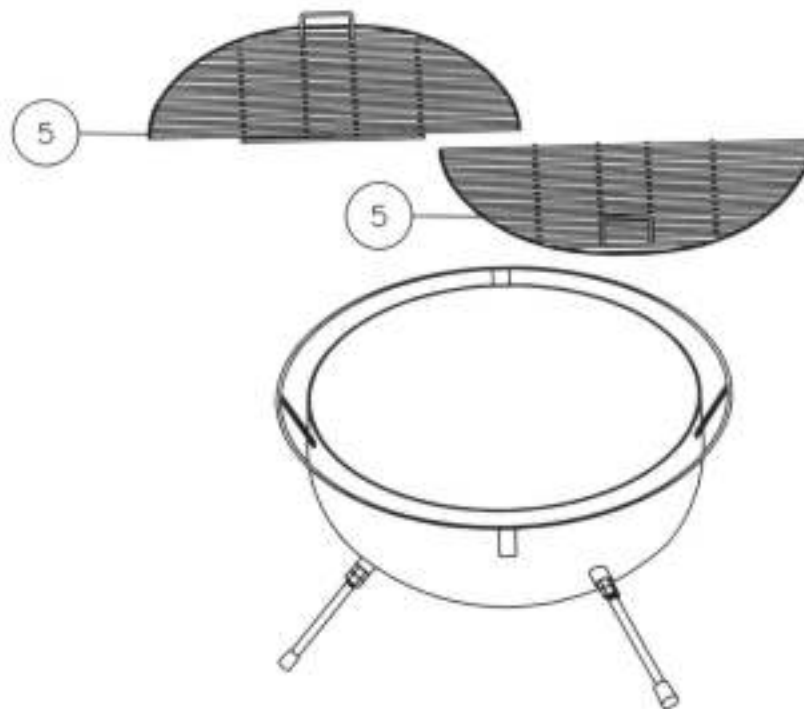


Step 1- Place 3/4-10 Hex Nut(1) onto threaded end of Kettle Leg(2) and thread on all the way. Repeat with all Legs(2).

Step 2- Thread Kettle leg(2) into threaded socket on bottom of FirePit Kettle. Repeat with all legs.

Step 3- Place Kettle Leg Foot(3) onto the bottom of Kettle Leg(2). Repeat with each Leg(2).

Step 4- Turn Kettle upright and thread legs in or out as necessary to level out FirePit Kettle. Tighten 3/4-10 nuts(1) against threaded sockets firmly using adjustable wrench to lock Legs(2) into place.



Step 5- Place FirePit Kettle Half Grill(5) into place directly onto the top edge of the FirePit Kettle(4). Half Grills(5) DO NOT mount on the Perimeter Ring which encircles the FirePit Kettle(4). Repeat with other FirePit Kettle Half Grill(5). To load wood into FirePit Kettle, remove screens, stack wood in a pyramid style and ignite ("Starter logs" may be used). Once fire has reached desired level, replace one or both FirePit Kettle Half Grills as needed for quantity of food desired.

!WARNING!

FirePit® Kettle is for outdoor use only. Keep **FirePit® Kettle** away from homes, garages and flammable materials/fluids or vehicles while in use. **FirePit® Kettle** is not to be used by children. Do not use in windy conditions. Do not use on combustible surfaces unless used in conjunction with a UL approved "stove board" and optional Ash Screen. Avoid wearing flammable clothing while **FirePit® Kettle** is in use. Please remember that ashes can remain hot for long periods. Do not overload or use to burn leaves, trash or paper. Use caution and mitts when handling or moving. When in use, surfaces will be hot. All fires must be *completely* extinguished before retiring. Do not store hot or with ashes inside. See below for further safety information.

IMPORTANT RULES FOR SAFE OPERATION

- 1 Keep away from flammable material and fluids such as gasoline, alcohol, diesel fuel, kerosene, and charcoal lighter fluid or vehicles while in use.
- 2 Do not use flammable fluids such as gasoline, alcohol, diesel fuel, kerosene or charcoal lighter fluid to light or relight fires.
- 3 Exercise the same precautions you would with an open fire.
- 4 Do not allow children to use the **FirePit® Kettle**. Keep children and pets away from the **FirePit® Kettle**.
- 5 Do not wear flammable or loose fitting clothing such as nylon when using the **FirePit® Kettle**.
- 6 Do not burn trash, leaves, paper cardboard or plywood in the **FirePit® Kettle**. Avoid using soft woods such as pine or cedar that are likely to "pop" and throw sparks. Use of seasoned hardwood is suggested.
- 7 **FirePit® Kettle** and ashes inside will remain hot for some time.
- 8 Do not store the **FirePit® Kettle** with ashes or combustible materials inside. Do not store the **FirePit® Kettle** until the fire is completely out and all surfaces are cold.
- 9 Use fireplace mitts or gloves when handling the **FirePit® Kettle** and tending the fire. Use long handled, sturdy fireplace equipment when adding or moving logs.
- 10 Do not move **FirePit® Kettle** while in use.
- 11 Always use in accordance with all applicable local and national fire codes.
- 12 Use only on noncombustible surfaces such as concrete, brick, rock, etc. Do not use on a wooden deck without a UL approved "stove board" and optional **FirePit® Kettle** Ash Screen in place. **FirePit® Kettle** should be under constant supervision. Do not leave unattended at any time.
- 13 Keep all bolts, nuts and screws tight to be sure **FirePit® Kettle** is in safe working condition. Inspect on a routine basis to ensure that the **FirePit® Kettle** is operating reliably.

THANK YOU FOR PURCHASING THIS WHALEN MFG. CO. PRODUCT!

WHALEN MFG. Co., INC

QUALITY OUTDOOR PRODUCTS FOR YOUR LIFESTYLE!

1270 E Murray St

Macomb IL 61455

Ph-800.225.1438

URL-www.whalenco.com/

email-info@whalenco.com